



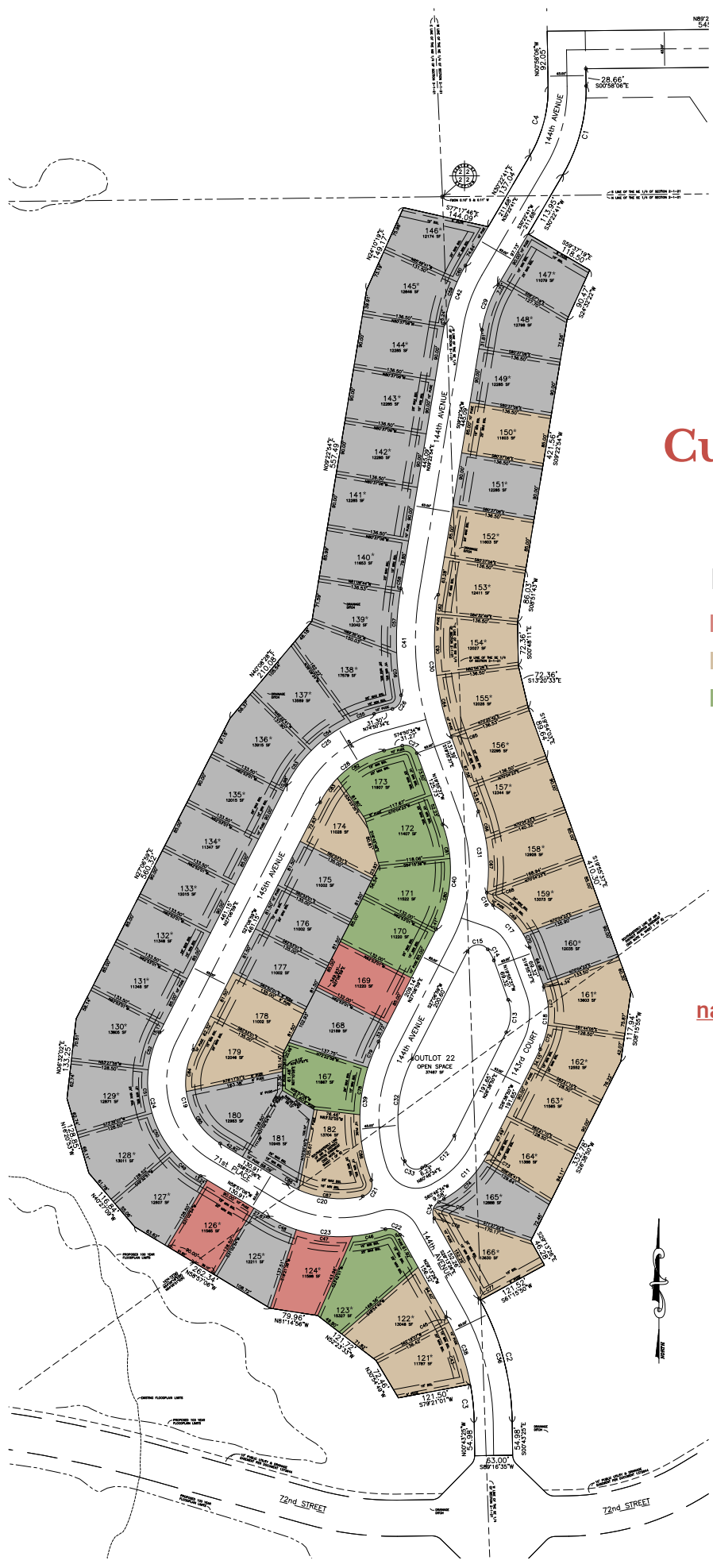
Custom Home Sites Now Available

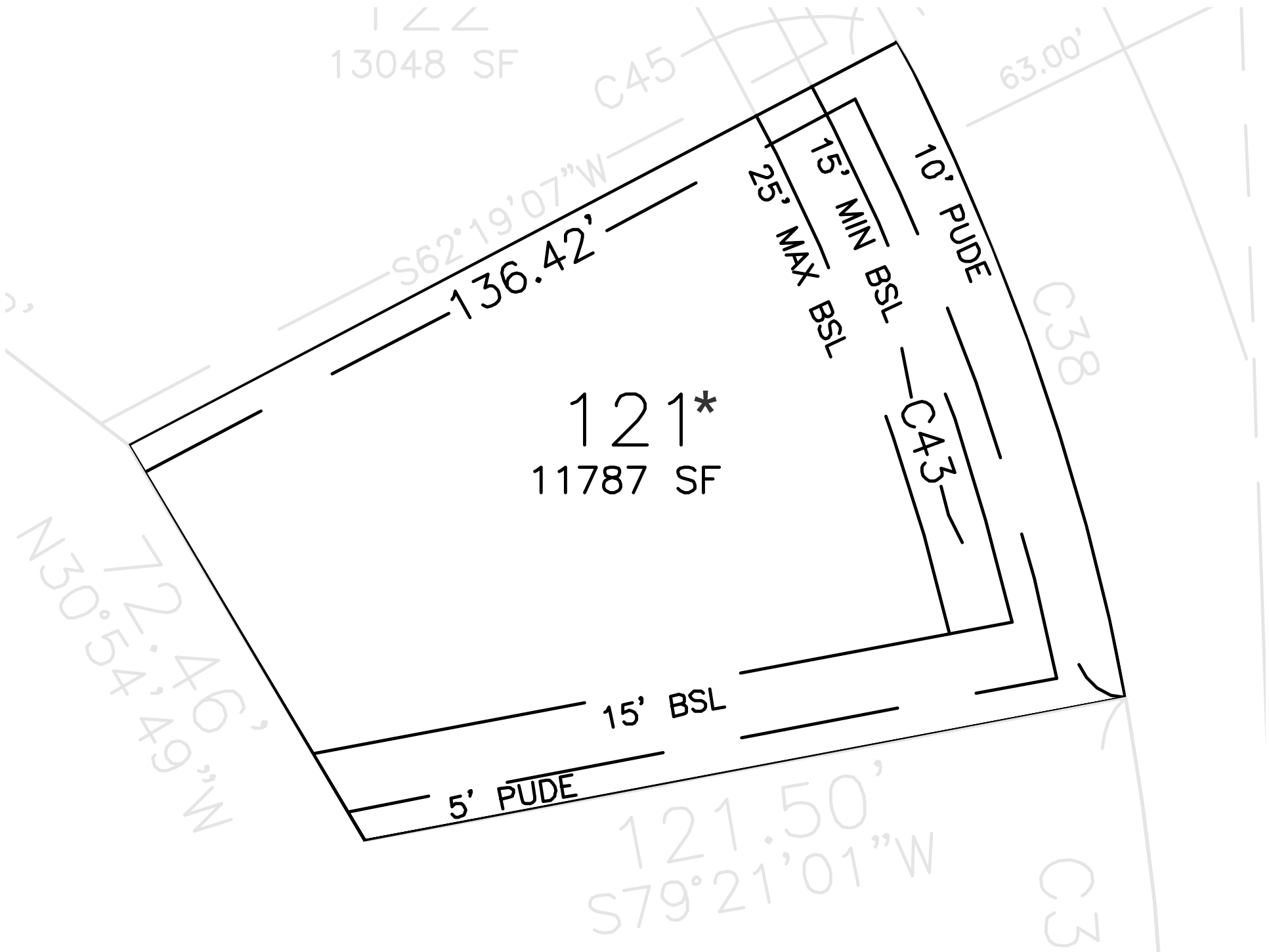
LOT STYLES

- Walk Out
- Standard
- Look Out
- Lot Sold
- * Golf Course Lot

The Estates at Strawberry Creek
14810 72nd Street
Kenosha, WI 53142
262.857.8400 x 104

Strawberry Creek Dev. Corp
Marketed by Karen Nasshan
nasshan@strawberrycreekclub.com

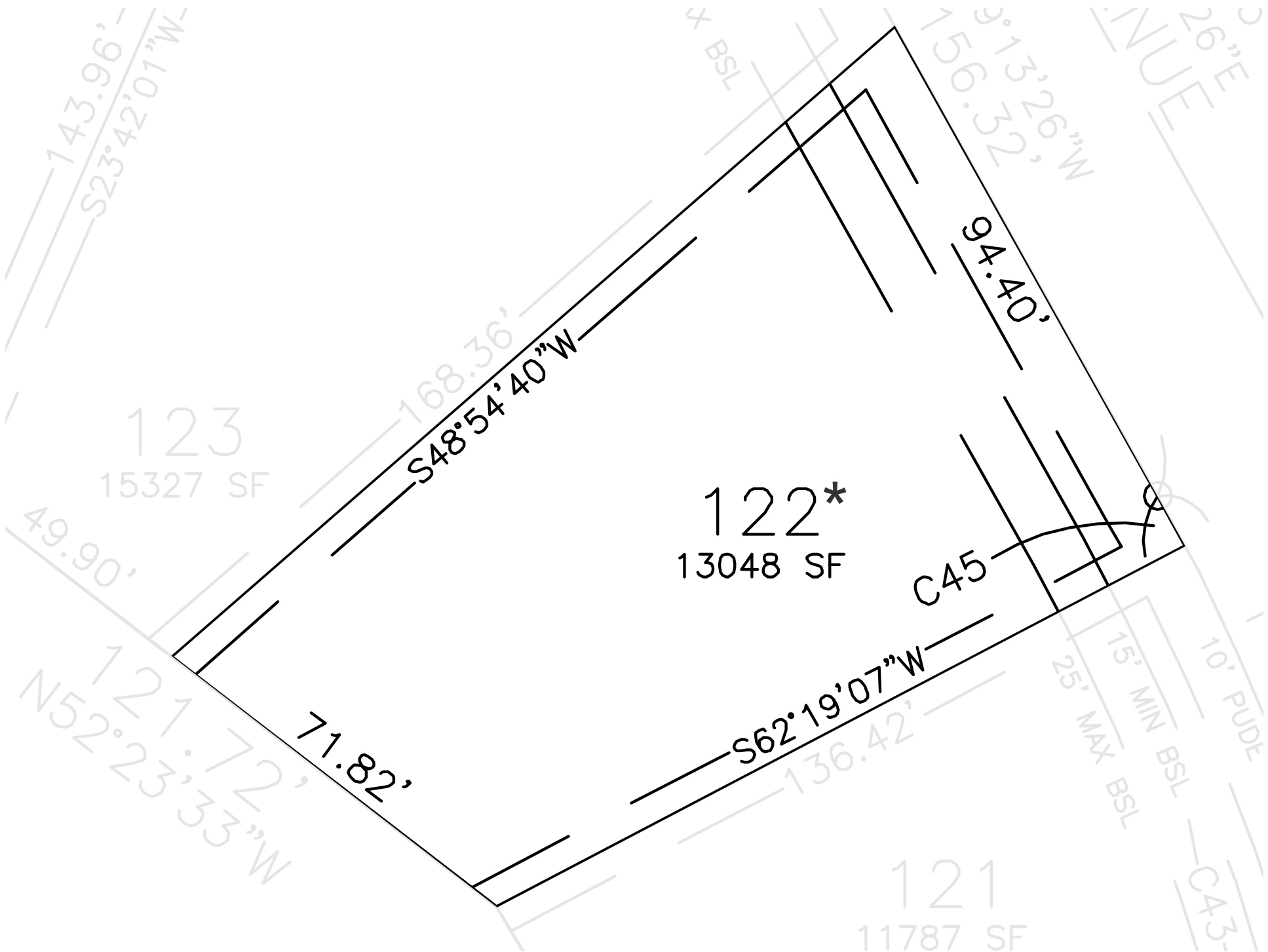




LOT STYLE: Standard *

[GO BACK TO NEIGHBORHOOD MAP](#)

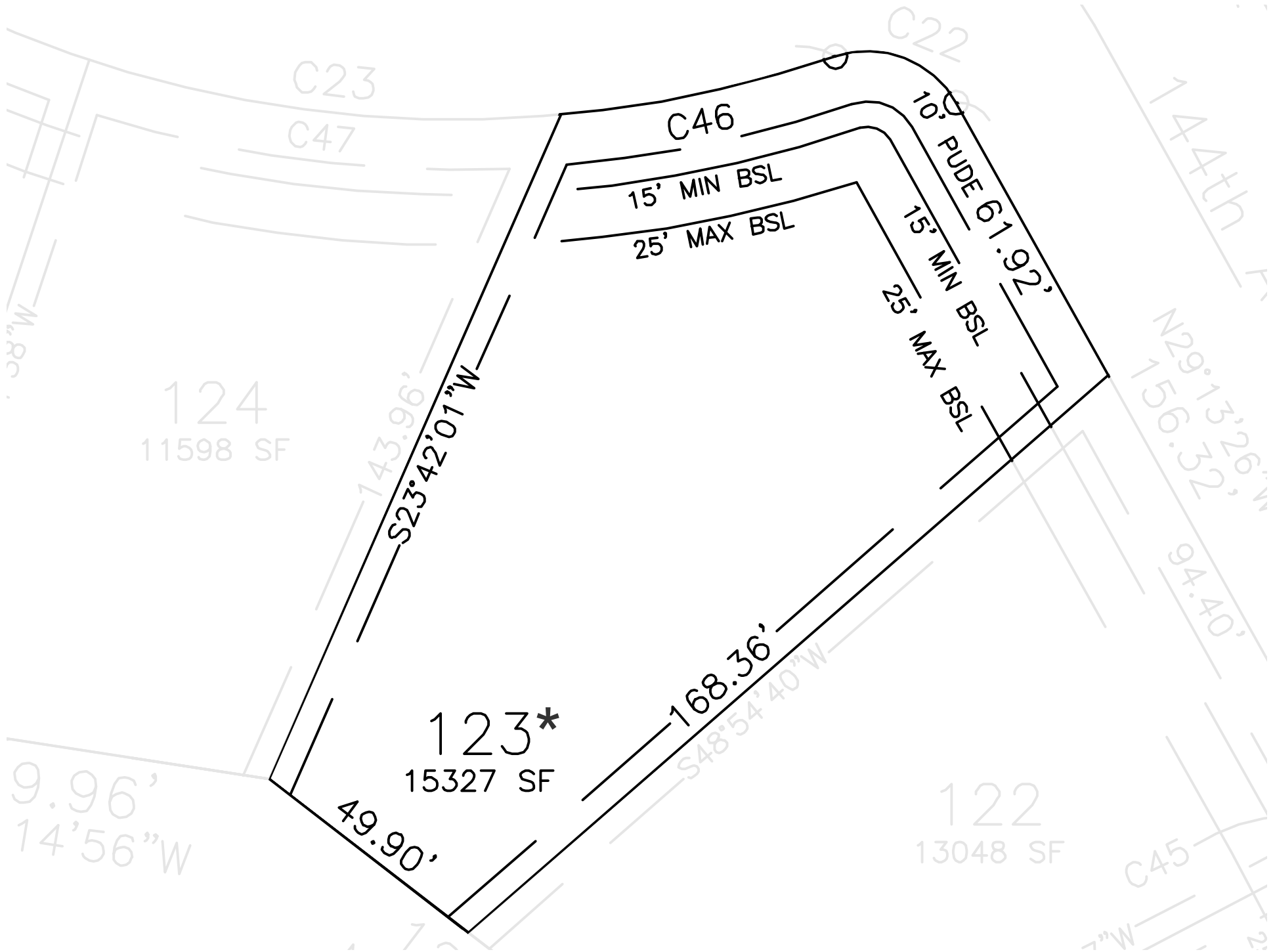
*Golf Course Lot



LOT STYLE: Standard *

[GO BACK TO NEIGHBORHOOD MAP](#)

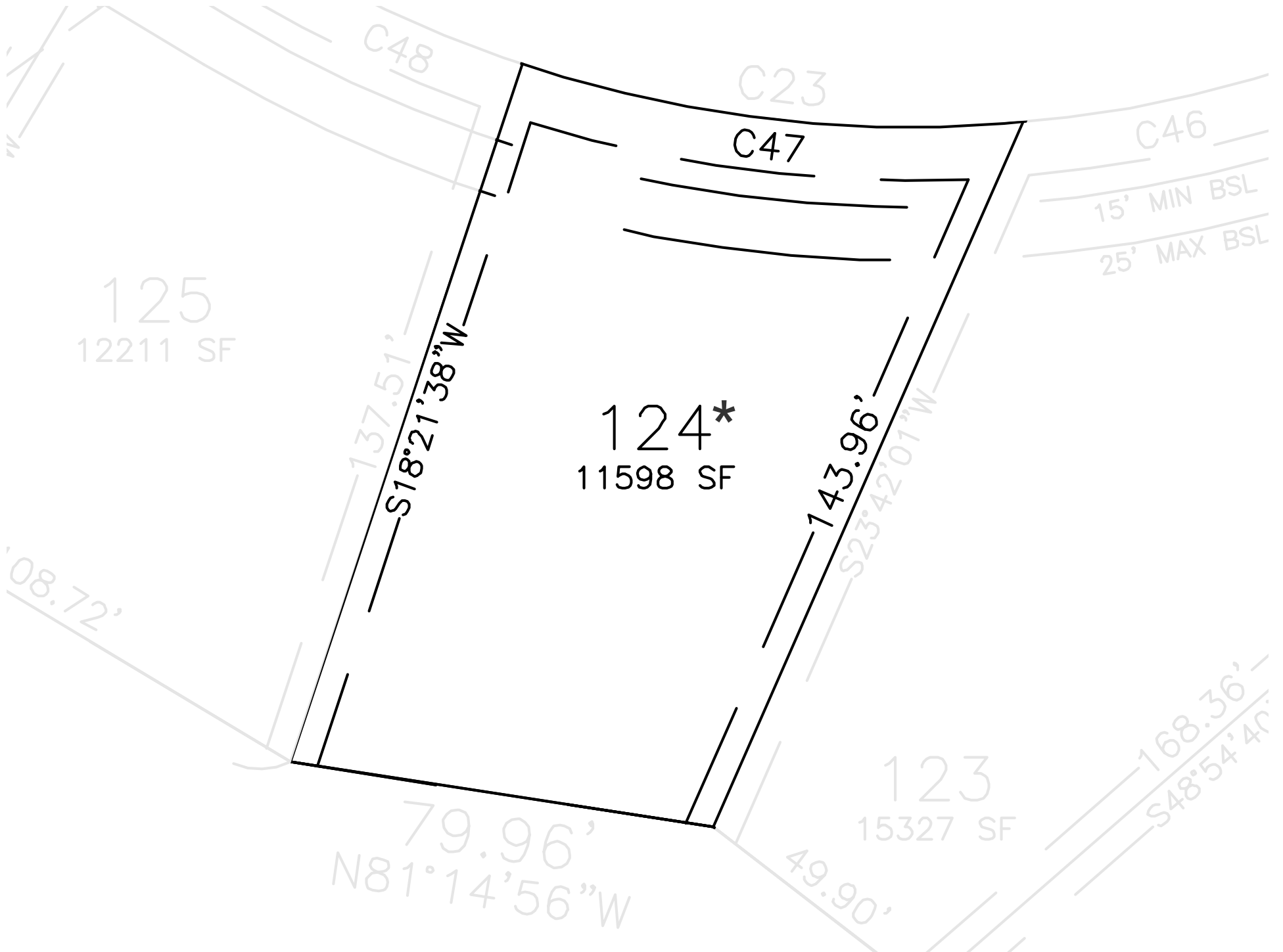
*Golf Course Lot



LOT STYLE: Look Out *

[GO BACK TO NEIGHBORHOOD MAP](#)

*Golf Course Lot



LOT STYLE: **Walk Out ***

[GO BACK TO NEIGHBORHOOD MAP](#)

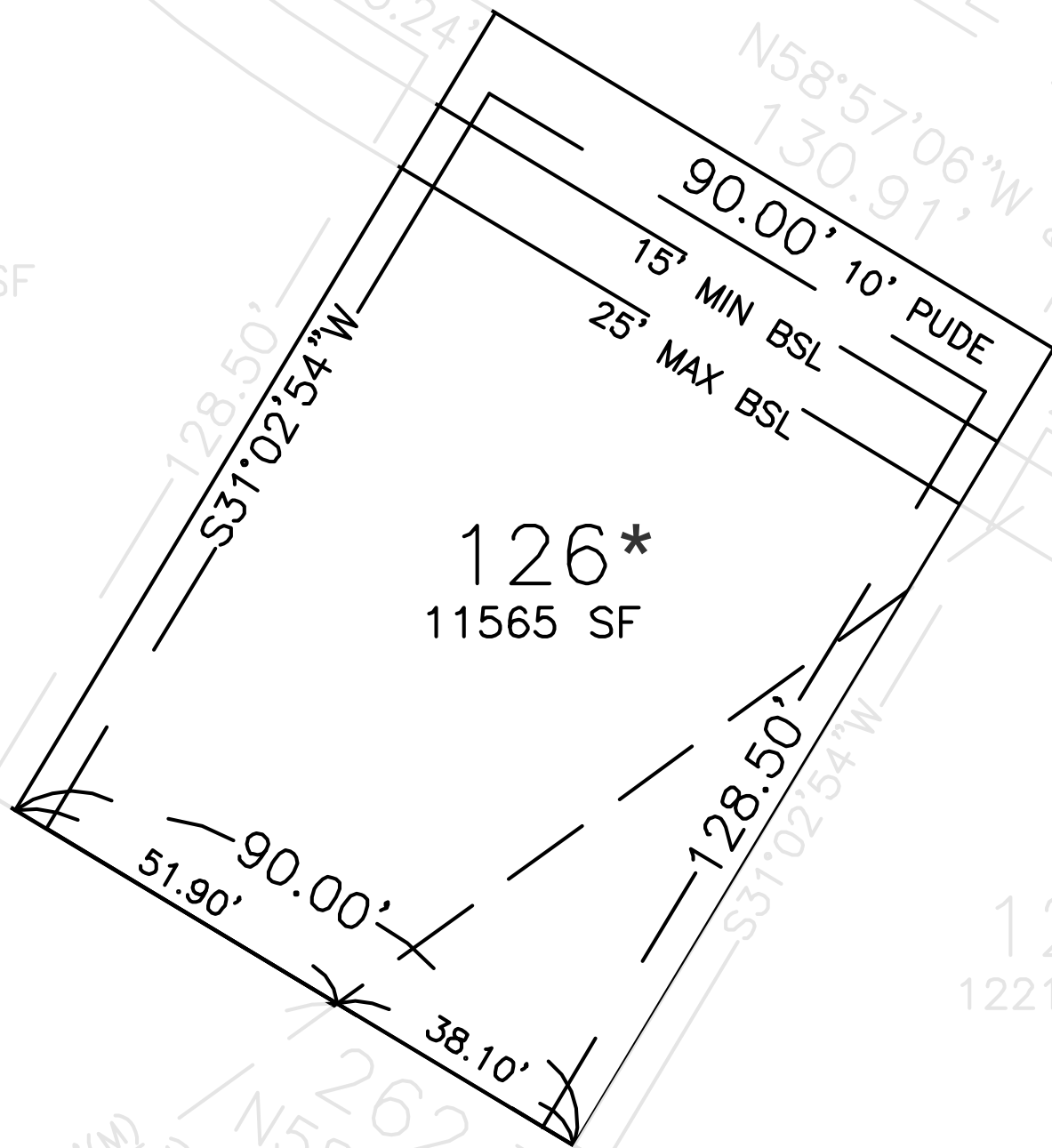
*Golf Course Lot

128.50
-S49°32'51"

127
12607 SF

FACE U6"E
N58°57'06"W
130.91'

13.24'



126*
11565 SF

27.67'

100 YEAR
RAIN LIMITS

125
12211 SF

14.73'(M)
9"E(M)
-(R)

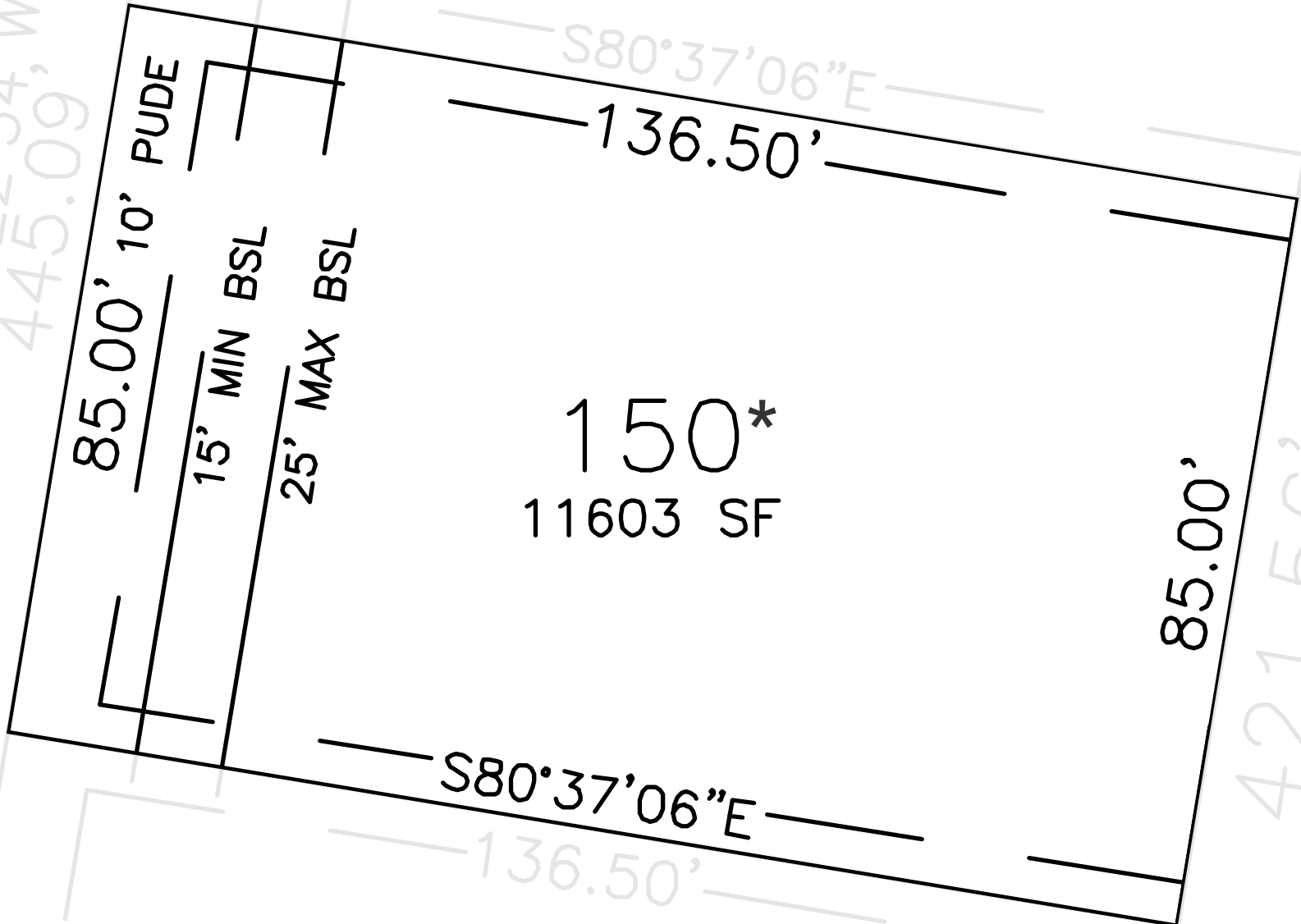
262.31'
N58°57'06"

LOT STYLE: Walk Out *

[GO BACK TO NEIGHBORHOOD MAP](#)

*Golf Course Lot

S09°22'54"W
445.09'

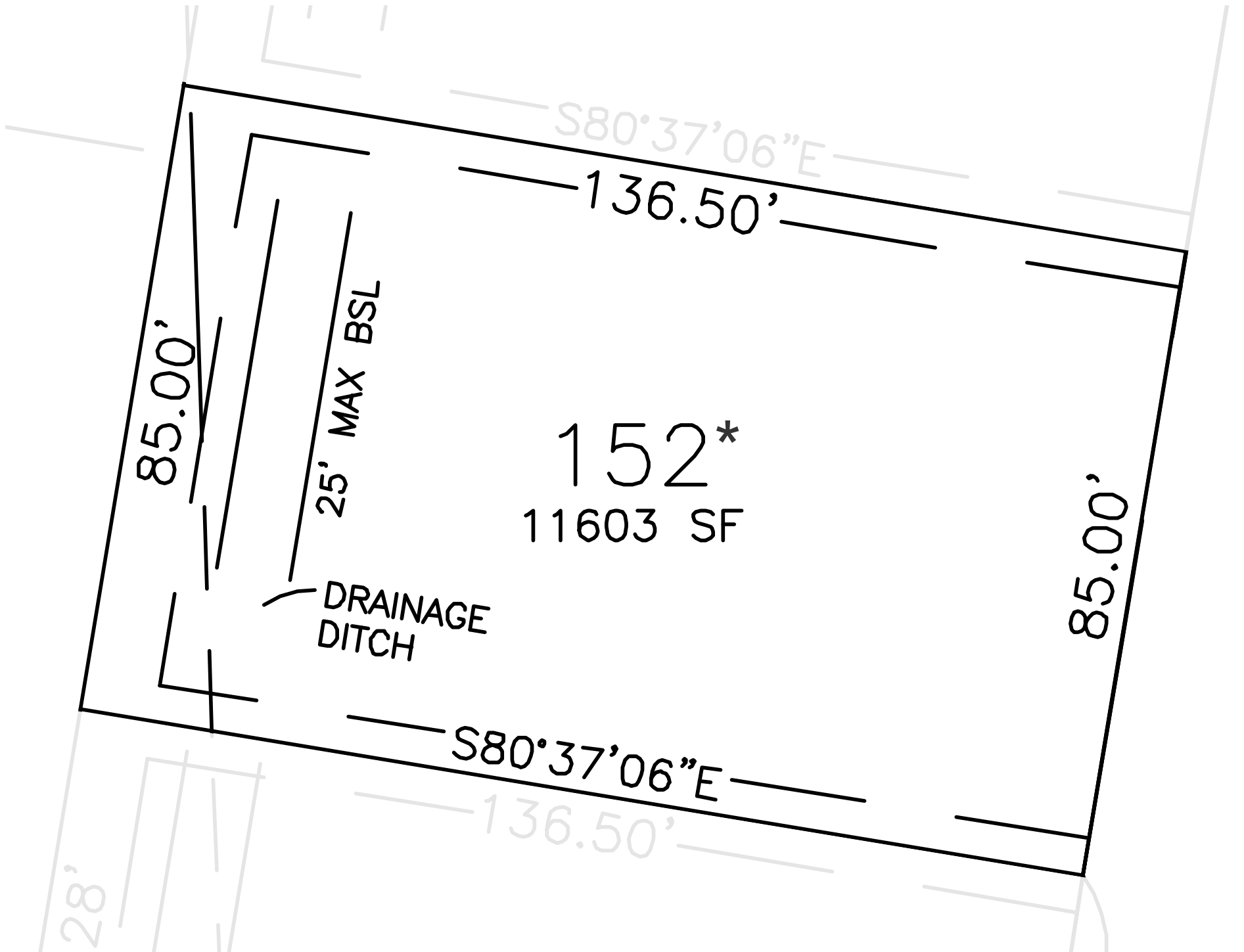


421.56'
S09°22'54"W

LOT STYLE: Standard *

[GO BACK TO NEIGHBORHOOD MAP](#)

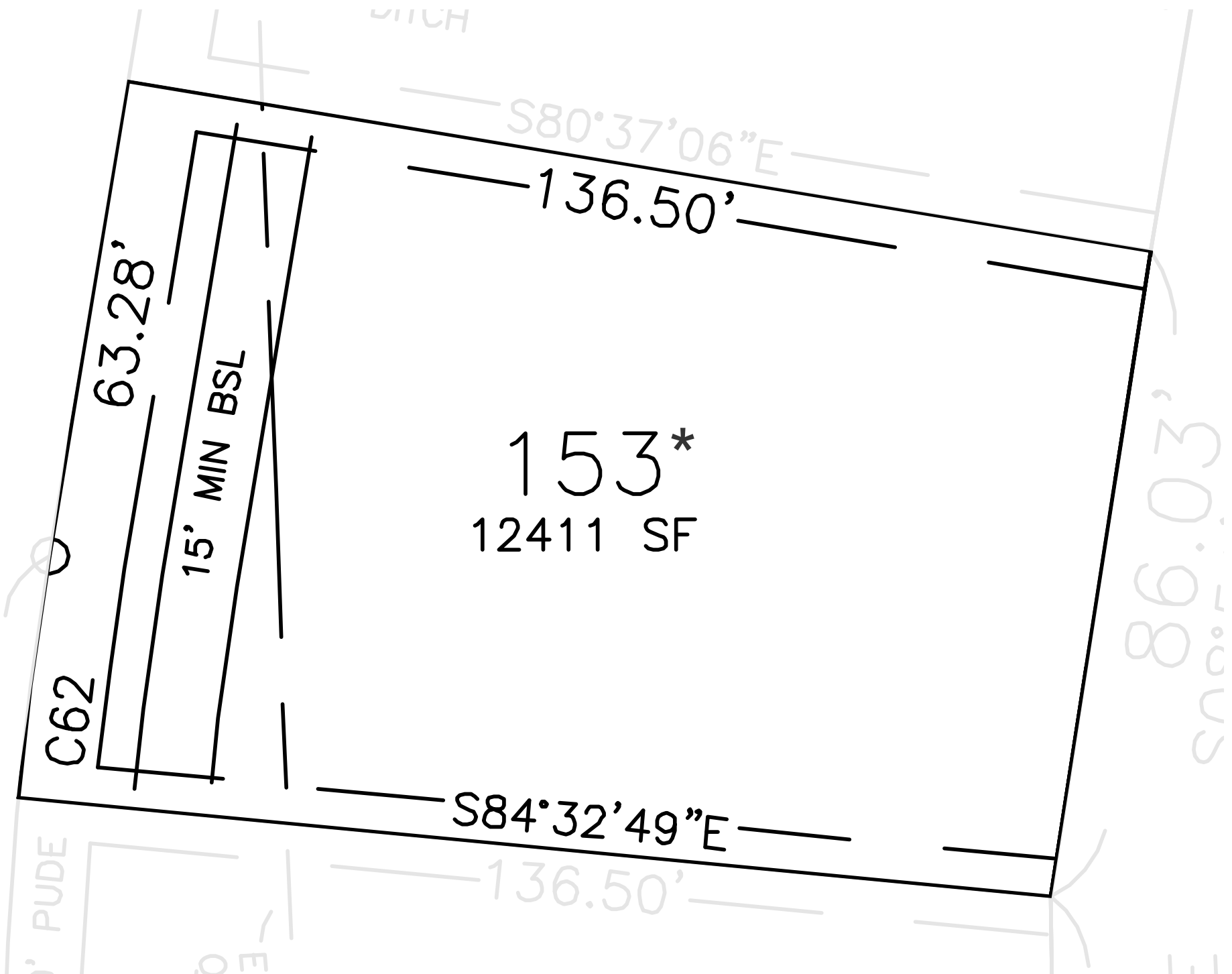
* Golf Course Lot



LOT STYLE: Standard *

[GO BACK TO NEIGHBORHOOD MAP](#)

*Golf Course Lot



153*
12411 SF

C63 10' PUDE

E LINE OF THE SW 1/4
OF SECTION 2-1-21

S84°32'49"E

136.50'

154*
12027 SF

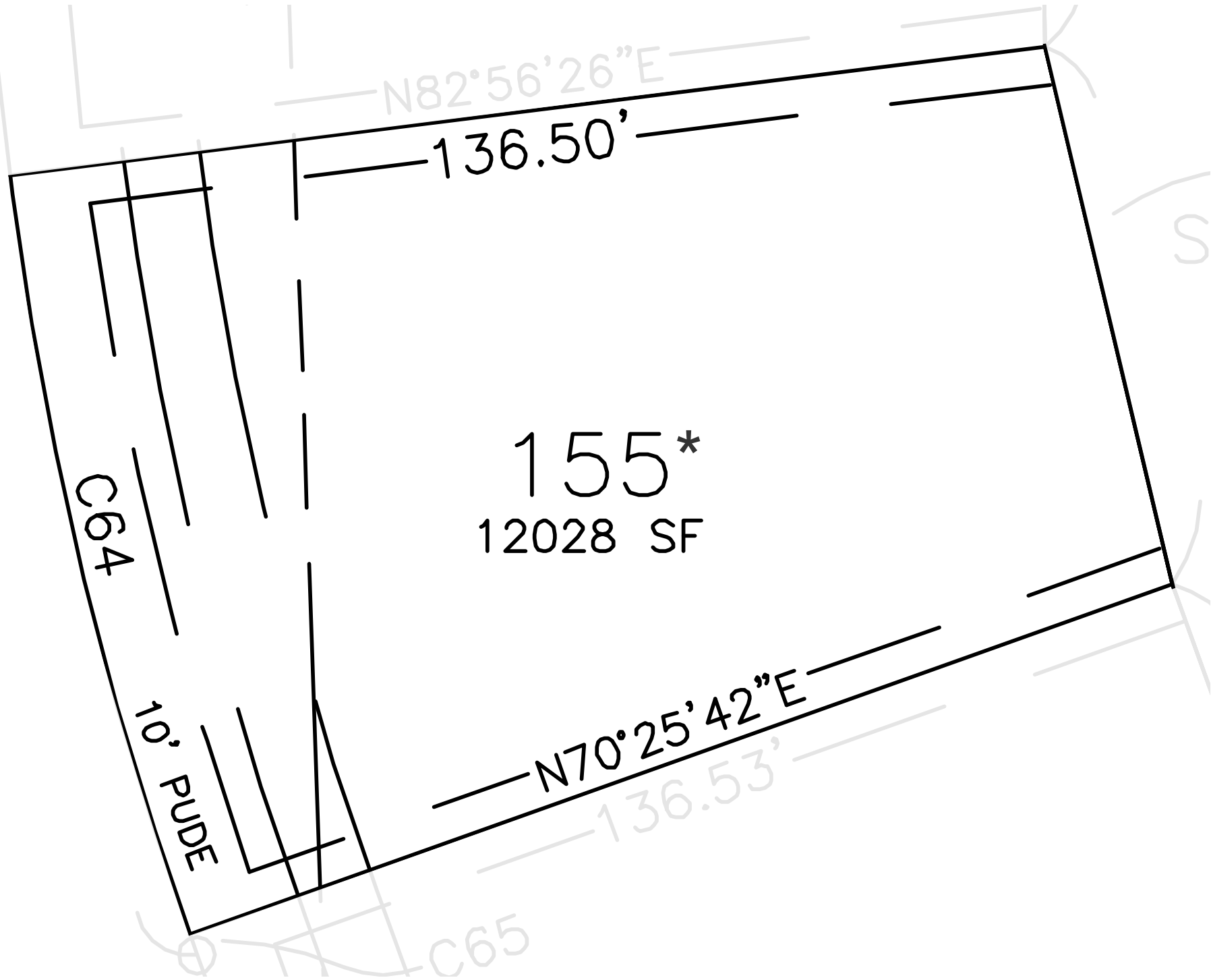
W LINE OF THE SE 1/4
OF SECTION 2-1-21

N82°56'26"E

136.50'

72.36'

C30



155*
12028 SF

C64

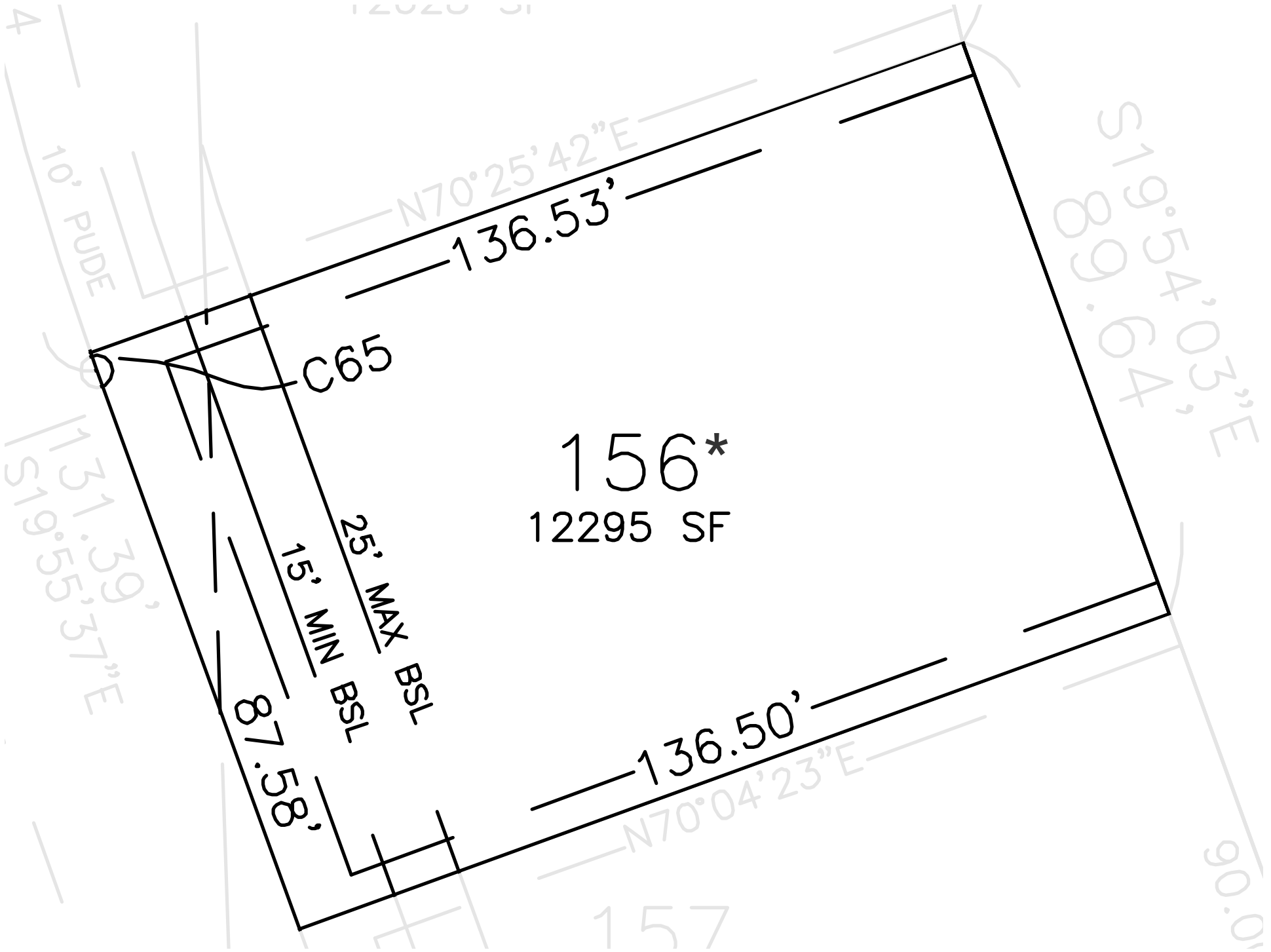
10' PUDE

C65

LOT STYLE: Standard *

[GO BACK TO NEIGHBORHOOD MAP](#)

*Golf Course Lot

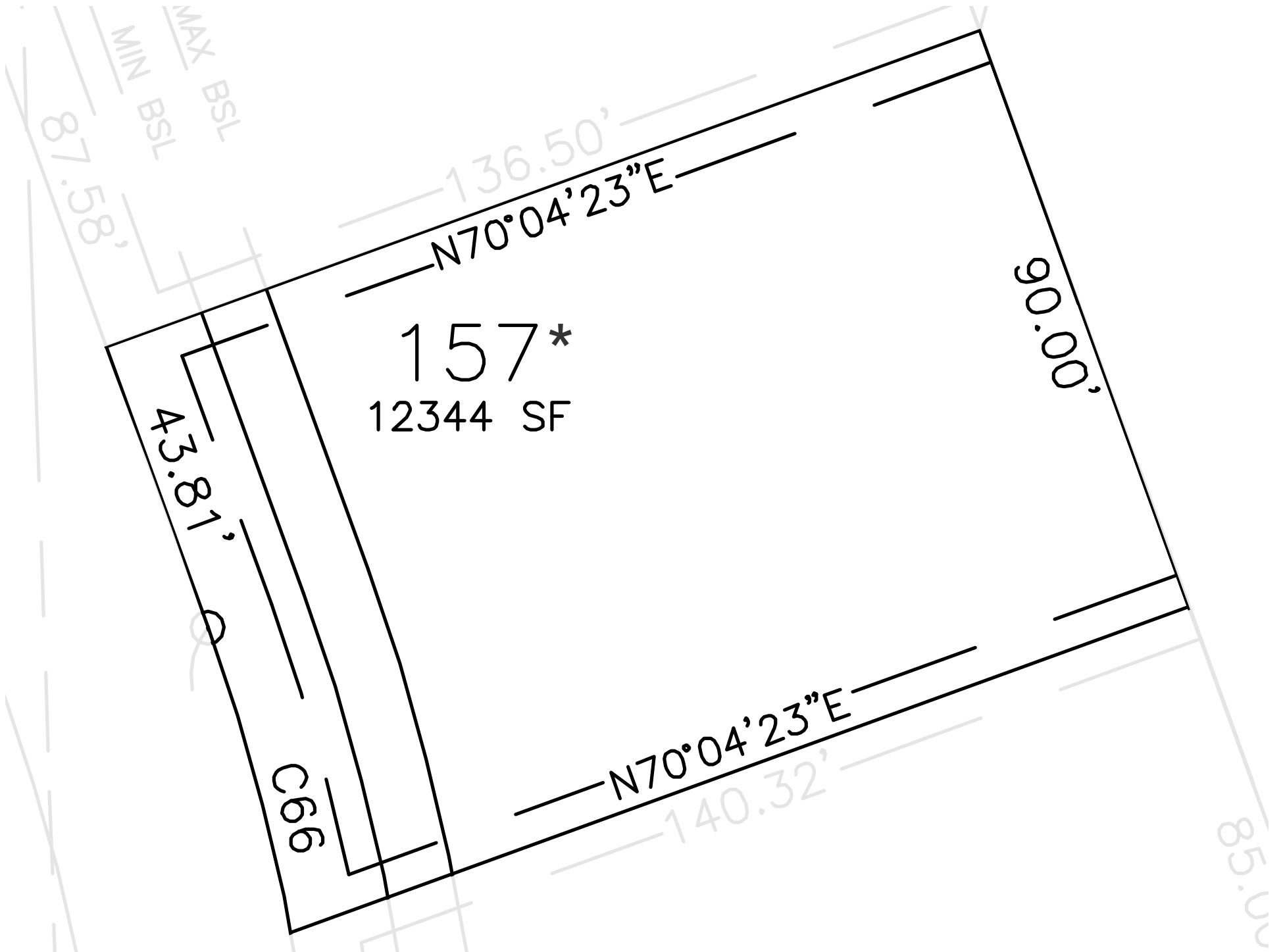


156*
12295 SF

LOT STYLE: Standard *

[GO BACK TO NEIGHBORHOOD MAP](#)

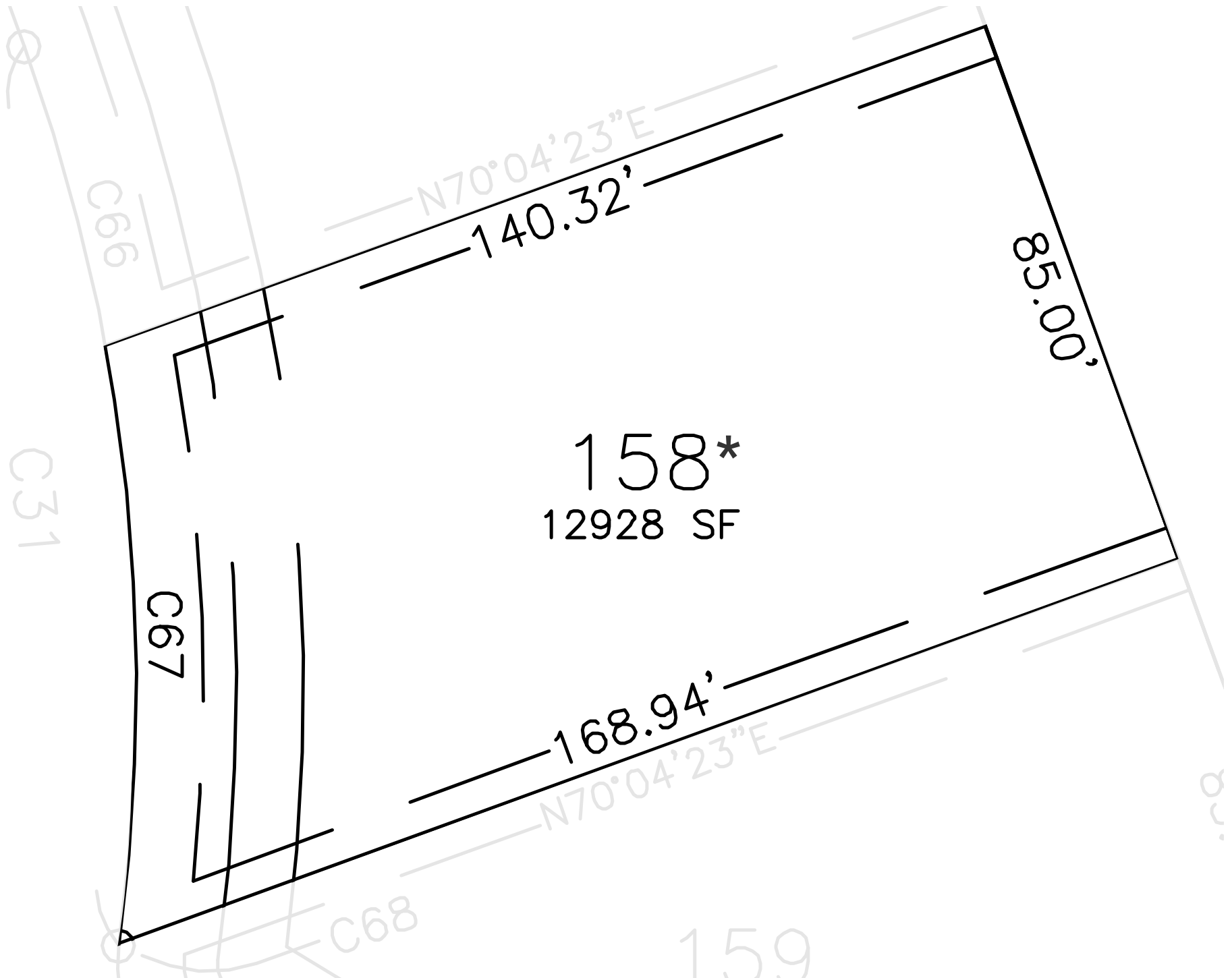
*Golf Course Lot



LOT STYLE: Standard *

[GO BACK TO NEIGHBORHOOD MAP](#)

*Golf Course Lot



LOT STYLE: Standard *

[GO BACK TO NEIGHBORHOOD MAP](#)

*Golf Course Lot

12928 SF

168.94'
N70°04'23"E

85.00'

159*
13073 SF

C68

25' MAX BSL

15' MIN BSL

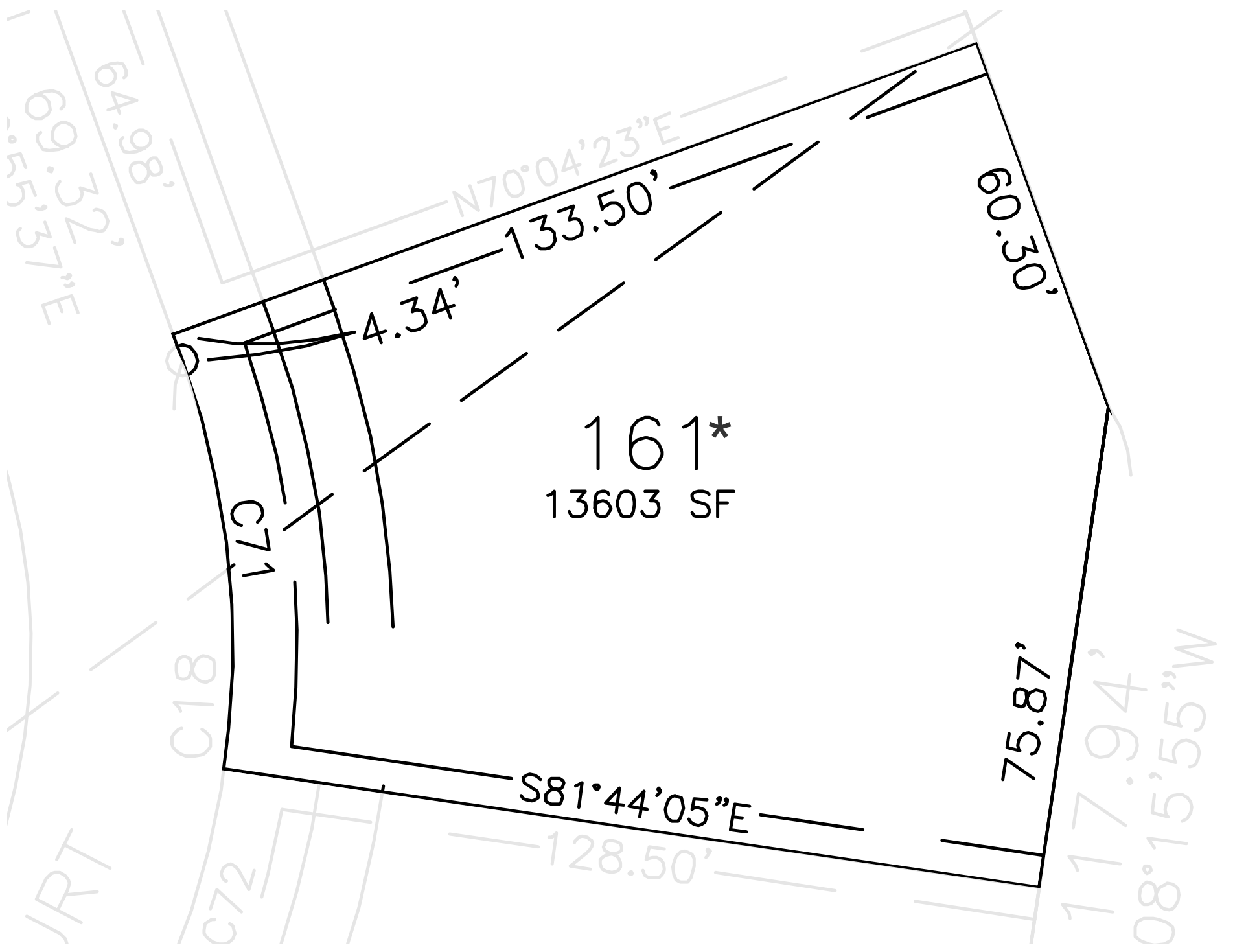
10' PUDE

C69

N70°04'23"E

135.90'

410.30'
S19°55'21"

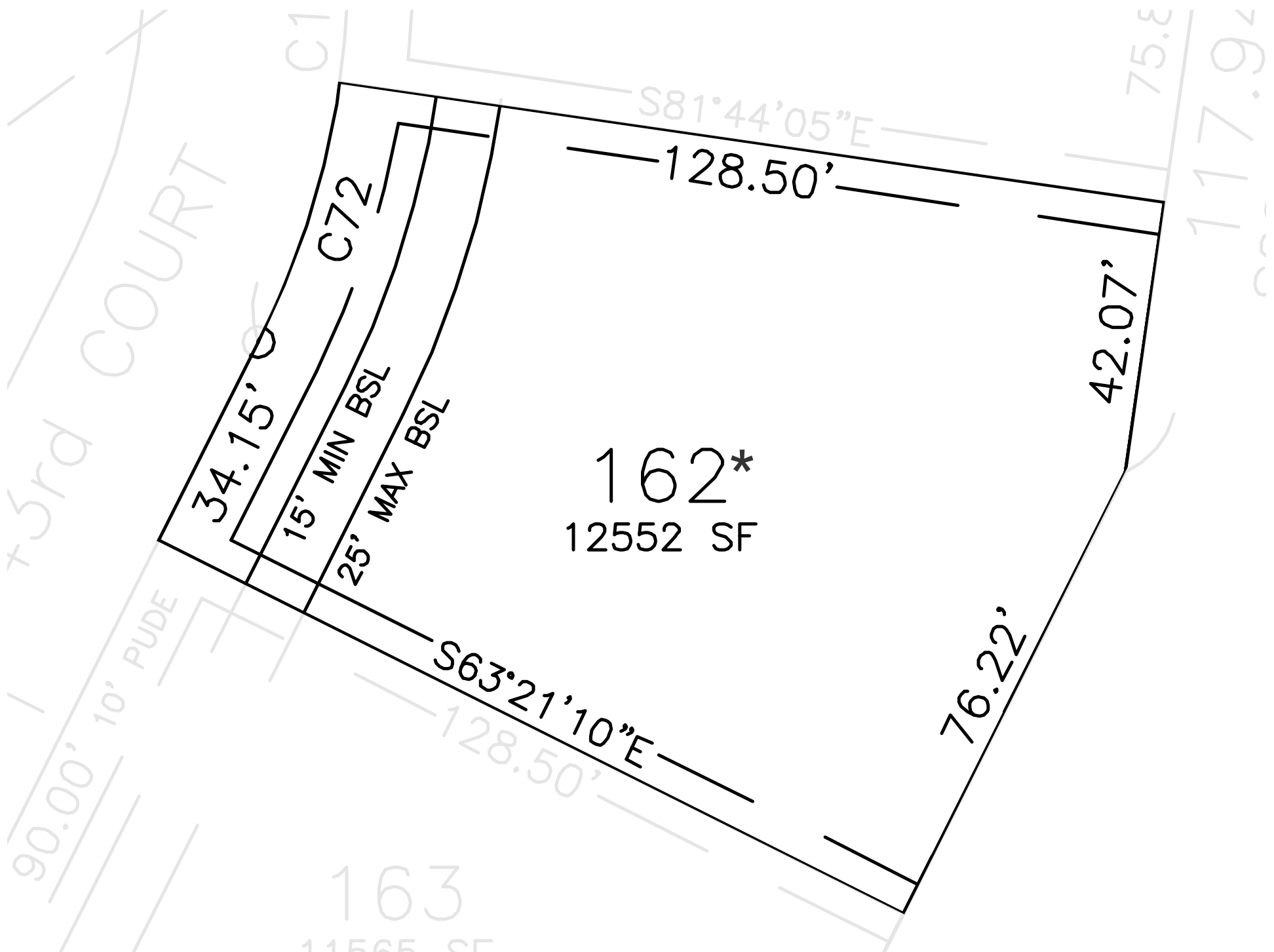


161*
13603 SF

LOT STYLE: Standard *

[GO BACK TO NEIGHBORHOOD MAP](#)

*Golf Course Lot

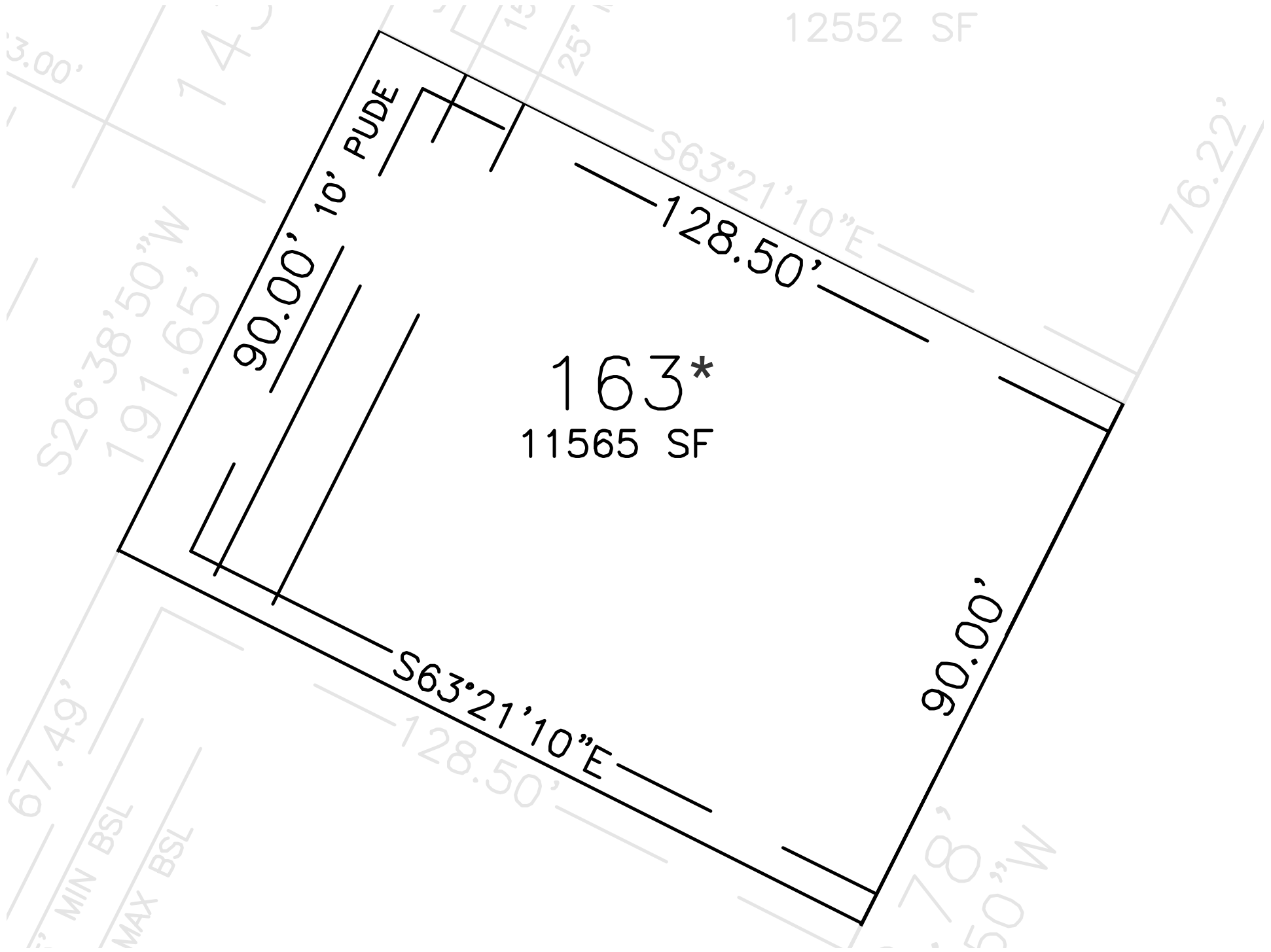


162*
12552 SF

LOT STYLE: Standard *

[GO BACK TO NEIGHBORHOOD MAP](#)

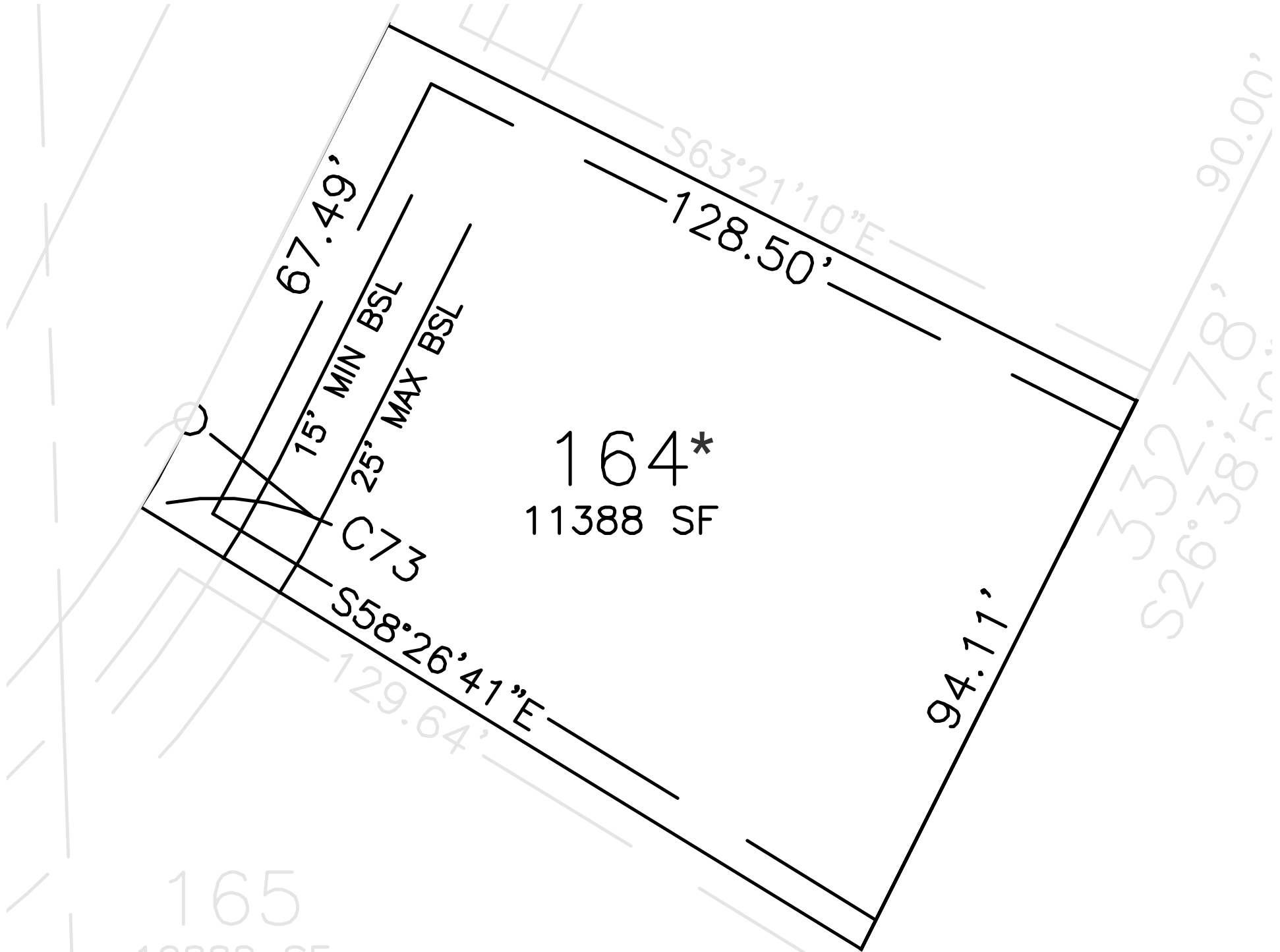
*Golf Course Lot



LOT STYLE: **Standard ***

[GO BACK TO NEIGHBORHOOD MAP](#)

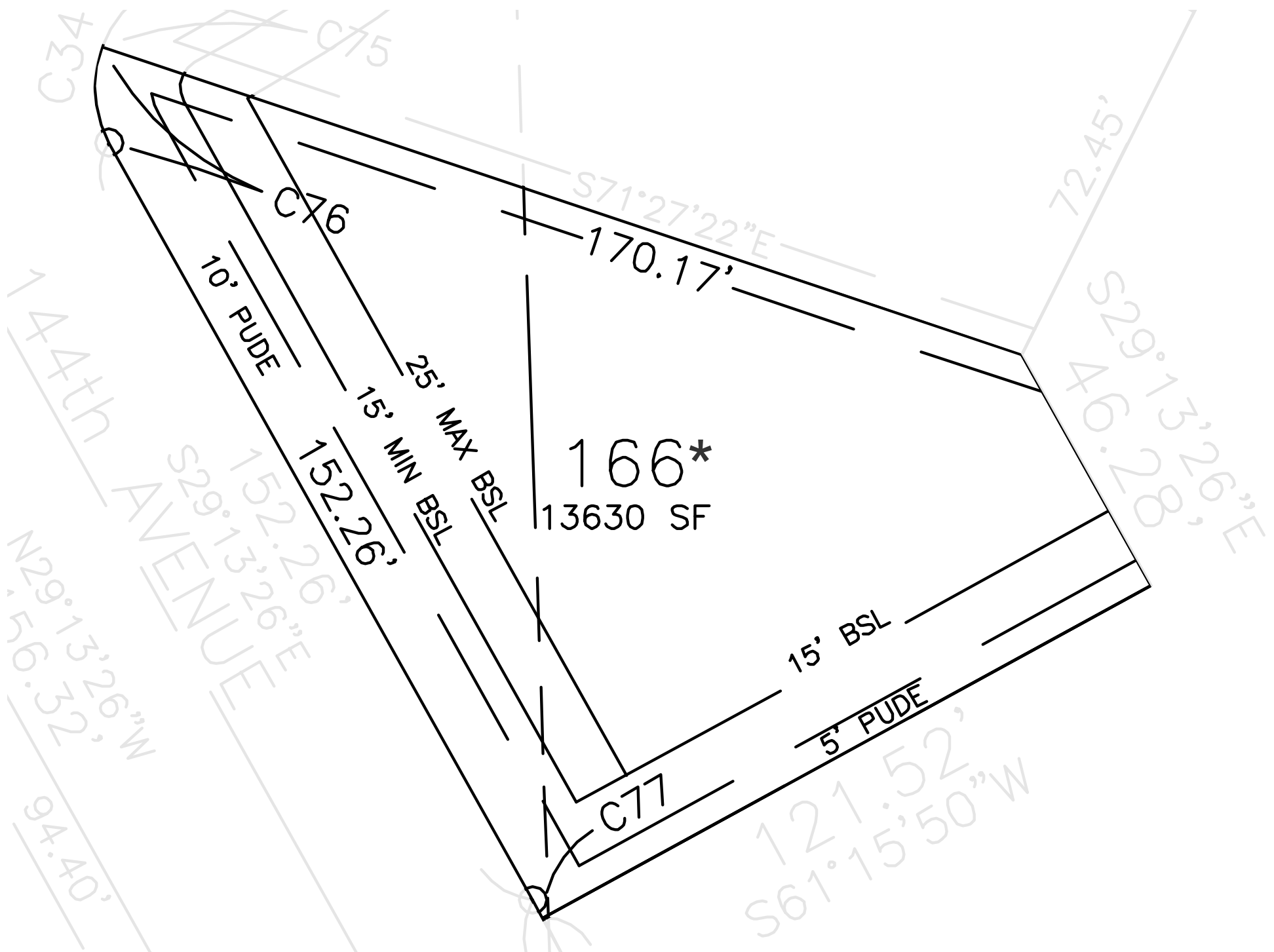
*Golf Course Lot



LOT STYLE: Standard *

[GO BACK TO NEIGHBORHOOD MAP](#)

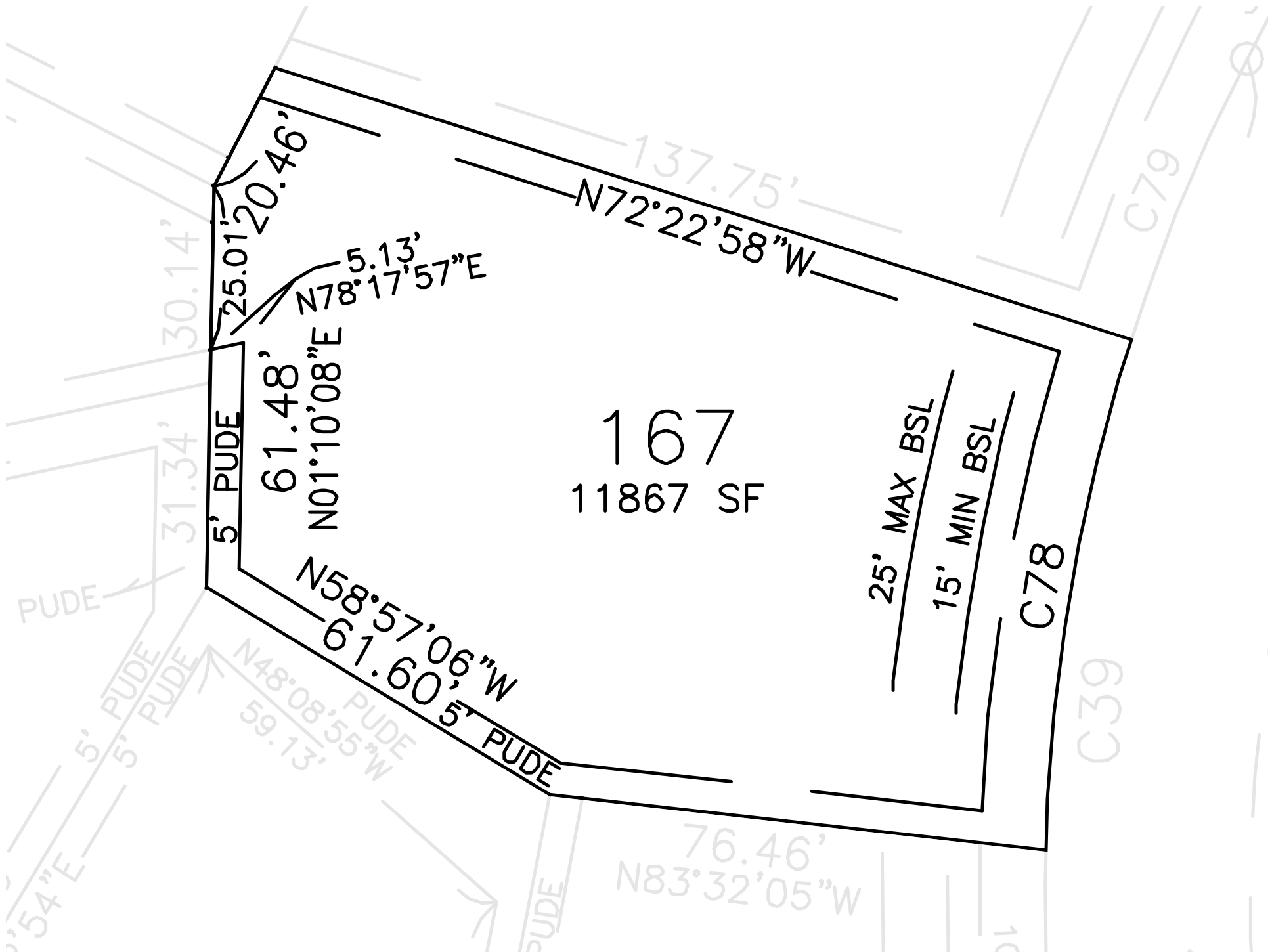
*Golf Course Lot



LOT STYLE: Standard *

[GO BACK TO NEIGHBORHOOD MAP](#)

*Golf Course Lot

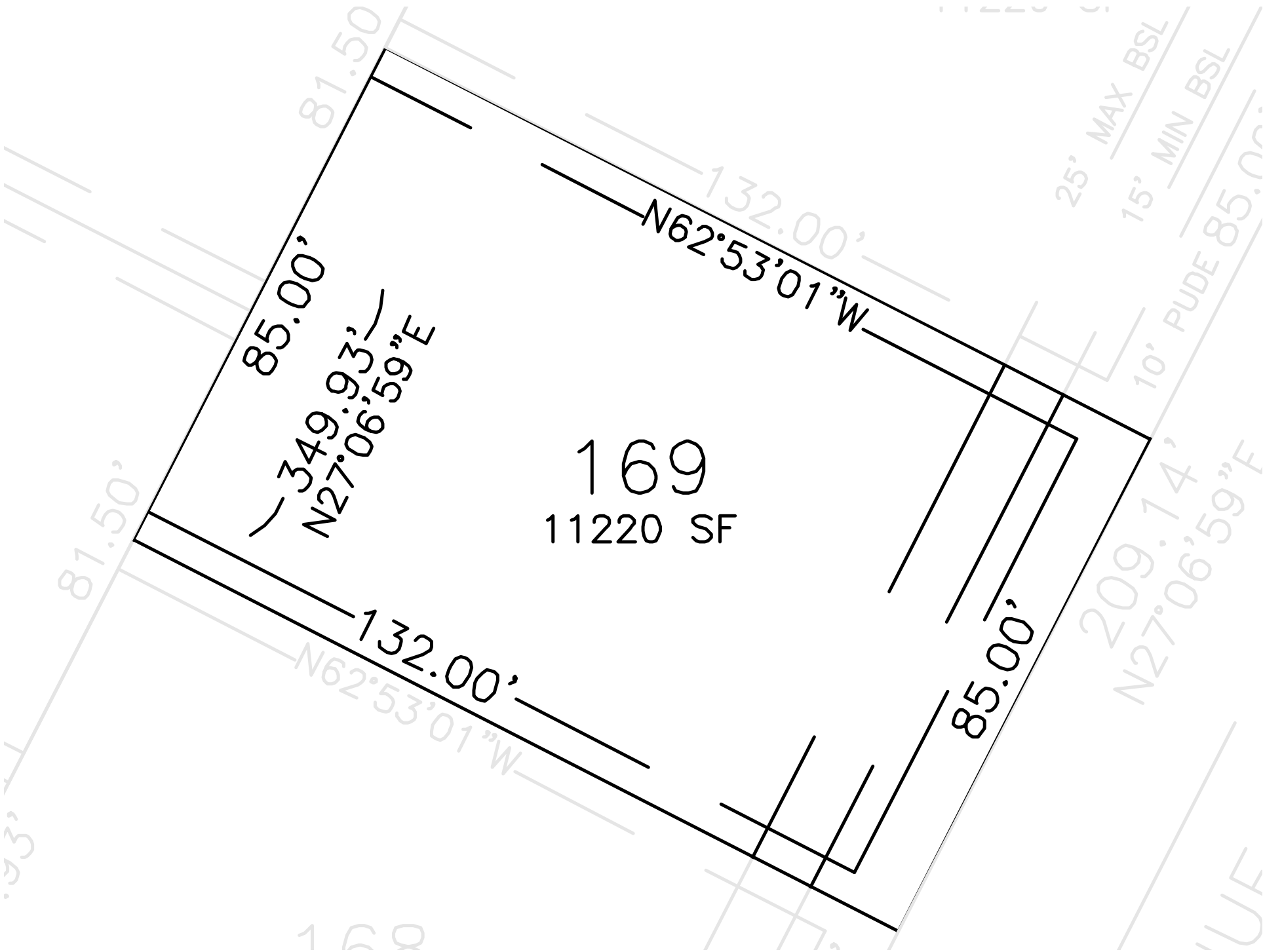


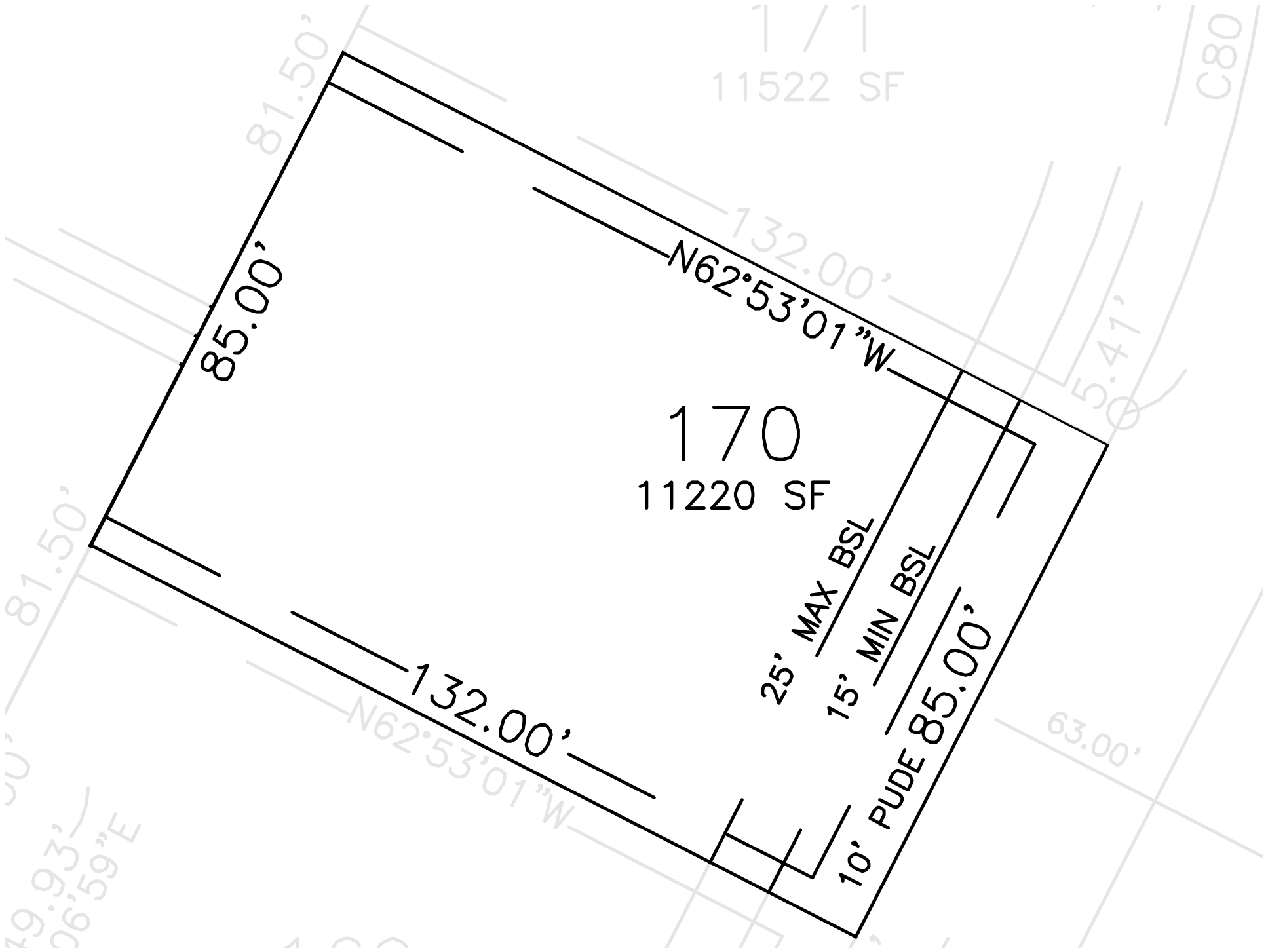
LOT STYLE: Look Out

[GO BACK TO NEIGHBORHOOD MAP](#)

LOT STYLE: Walk Out

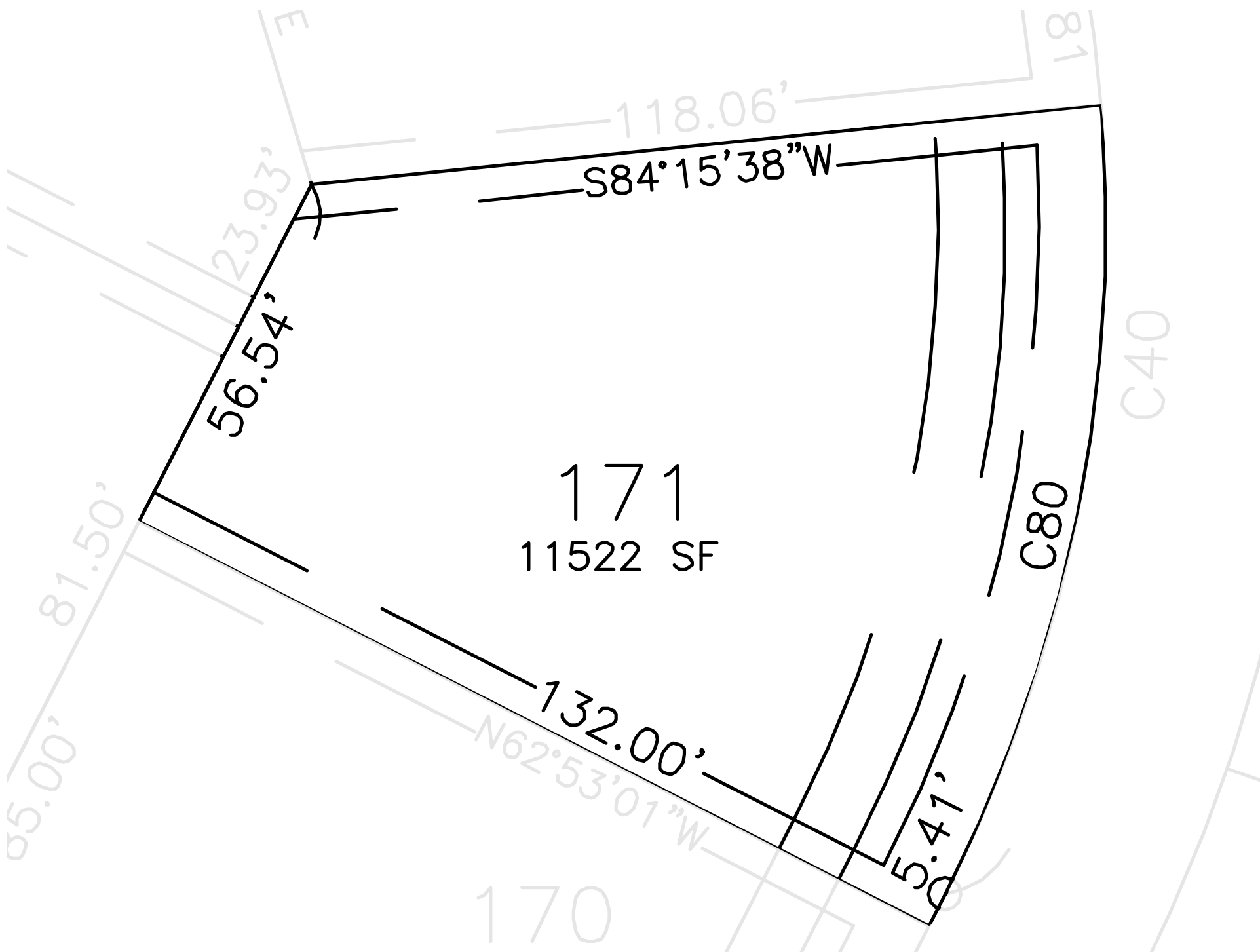
[GO BACK TO NEIGHBORHOOD MAP](#)





LOT STYLE: Look Out

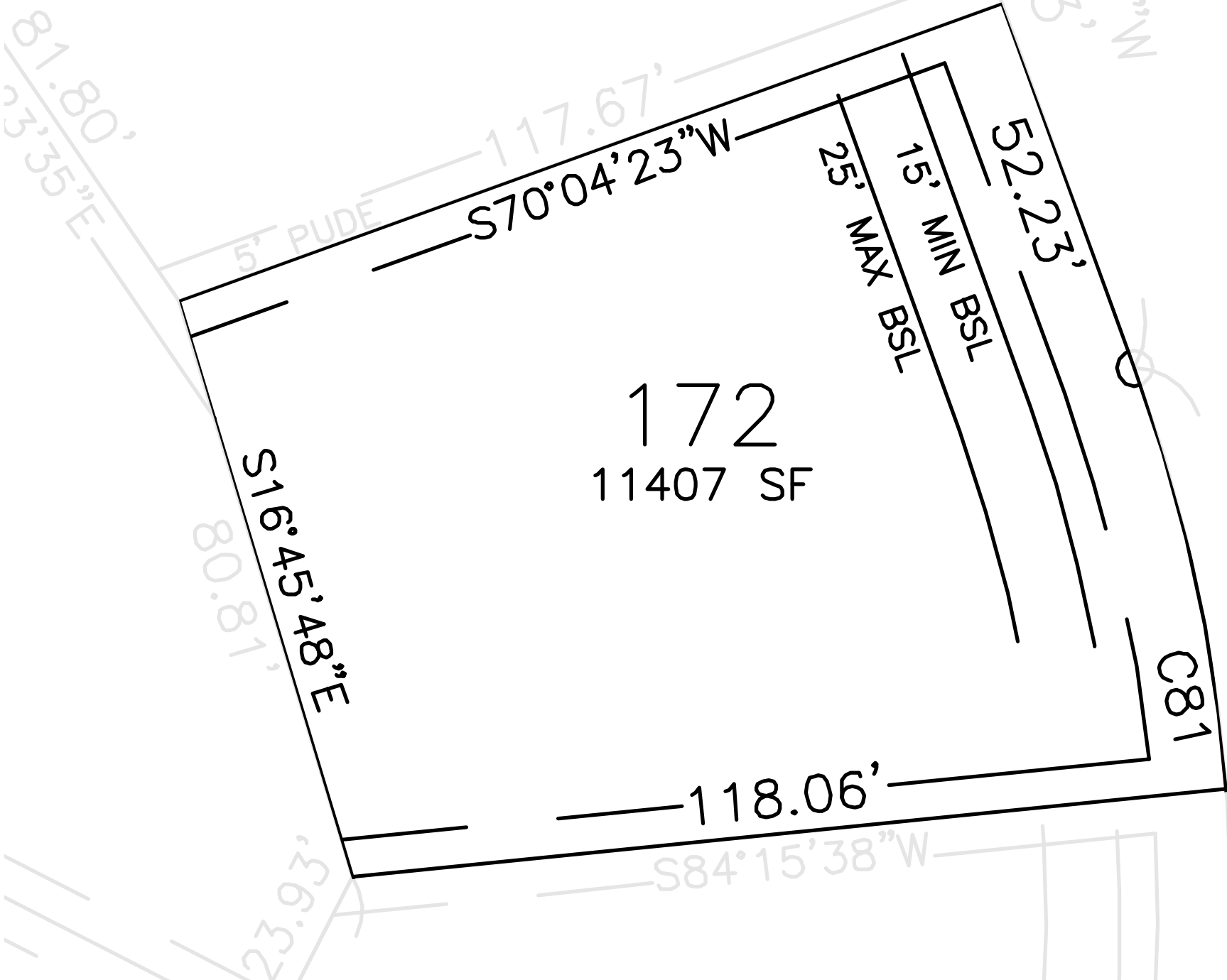
[GO BACK TO NEIGHBORHOOD MAP](#)



171
11522 SF

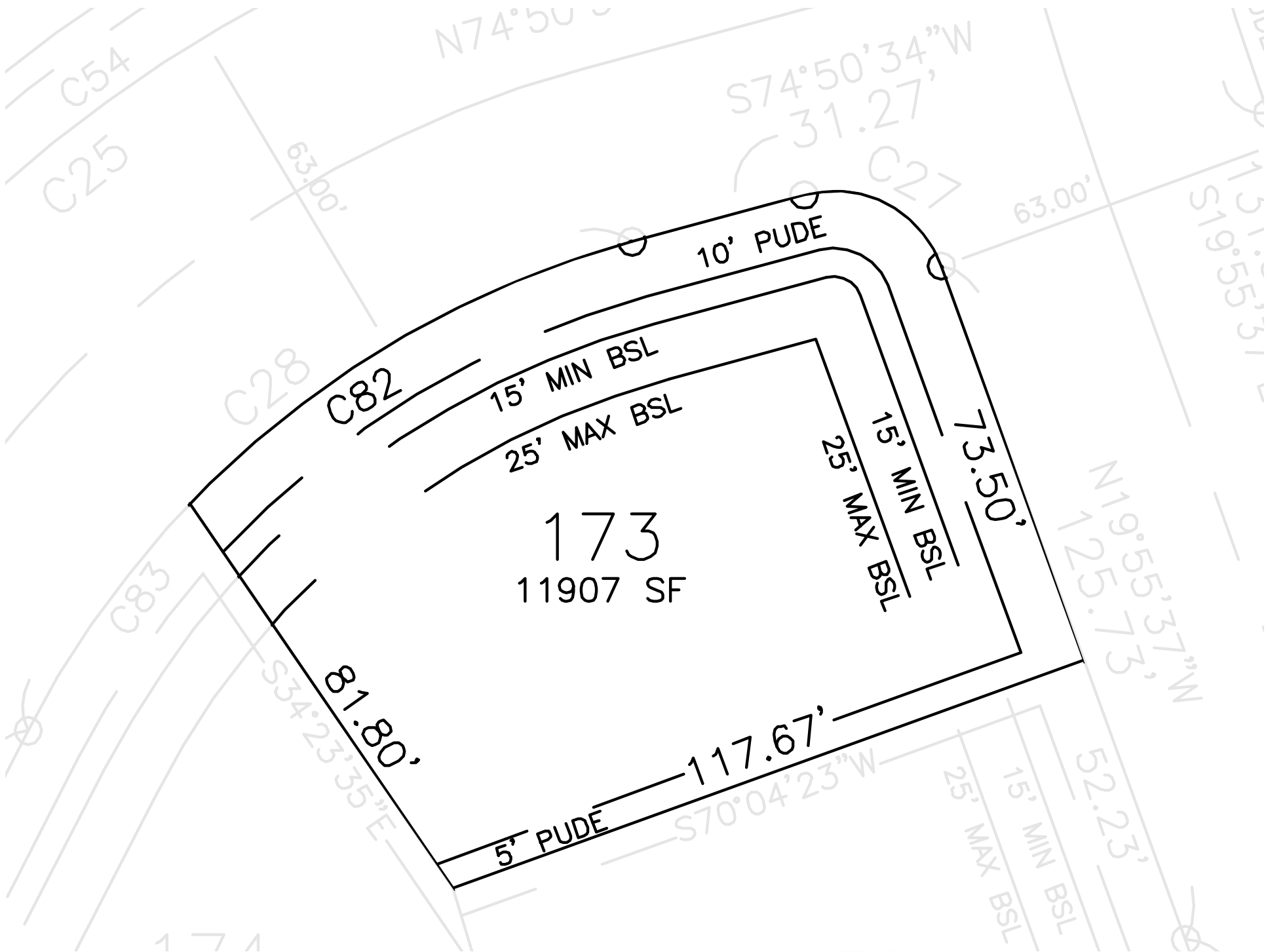
LOT STYLE: Look Out

[GO BACK TO NEIGHBORHOOD MAP](#)



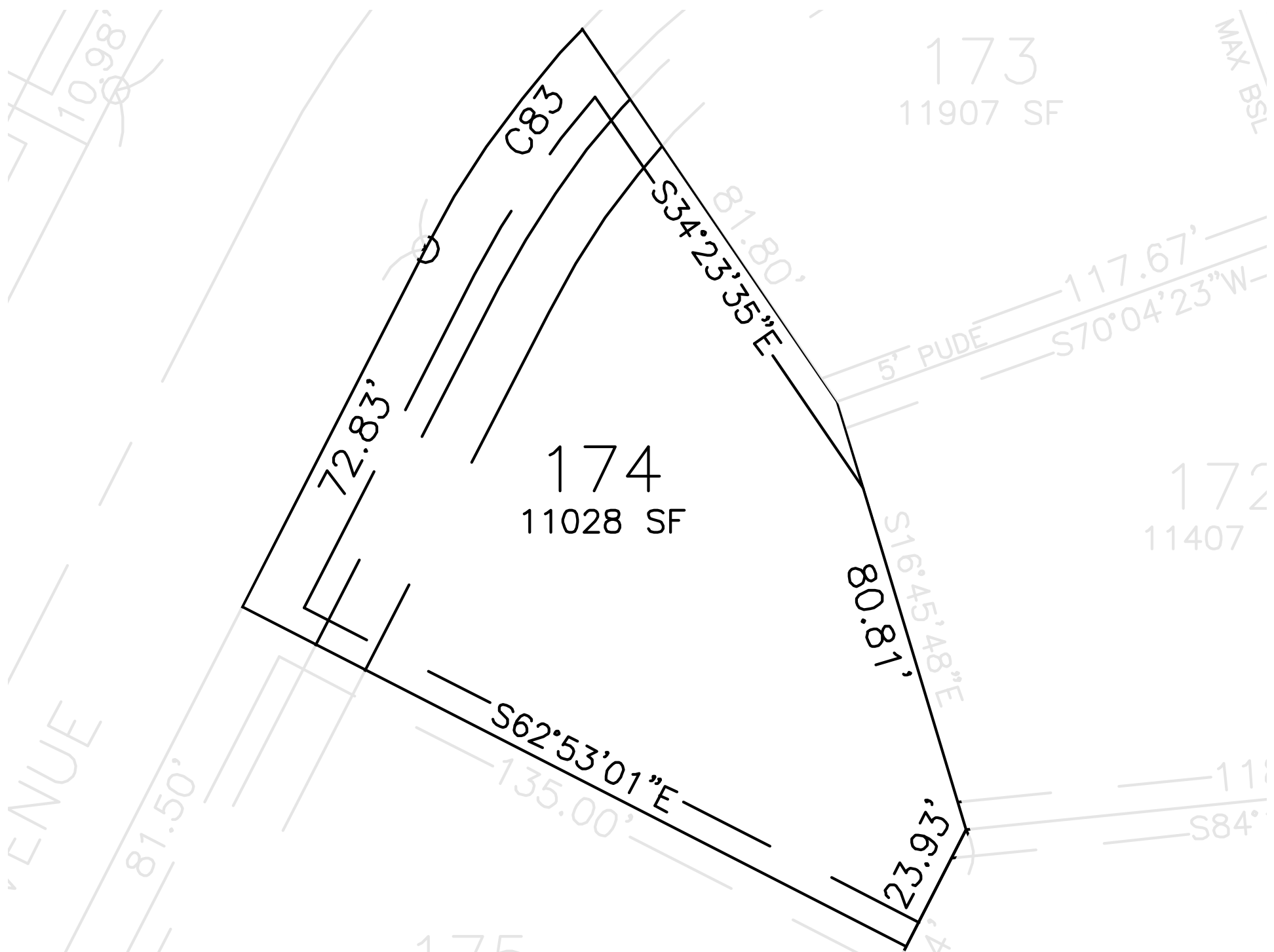
LOT STYLE: Look Out

[GO BACK TO NEIGHBORHOOD MAP](#)



LOT STYLE: Look Out

[GO BACK TO NEIGHBORHOOD MAP](#)



174
11028 SF

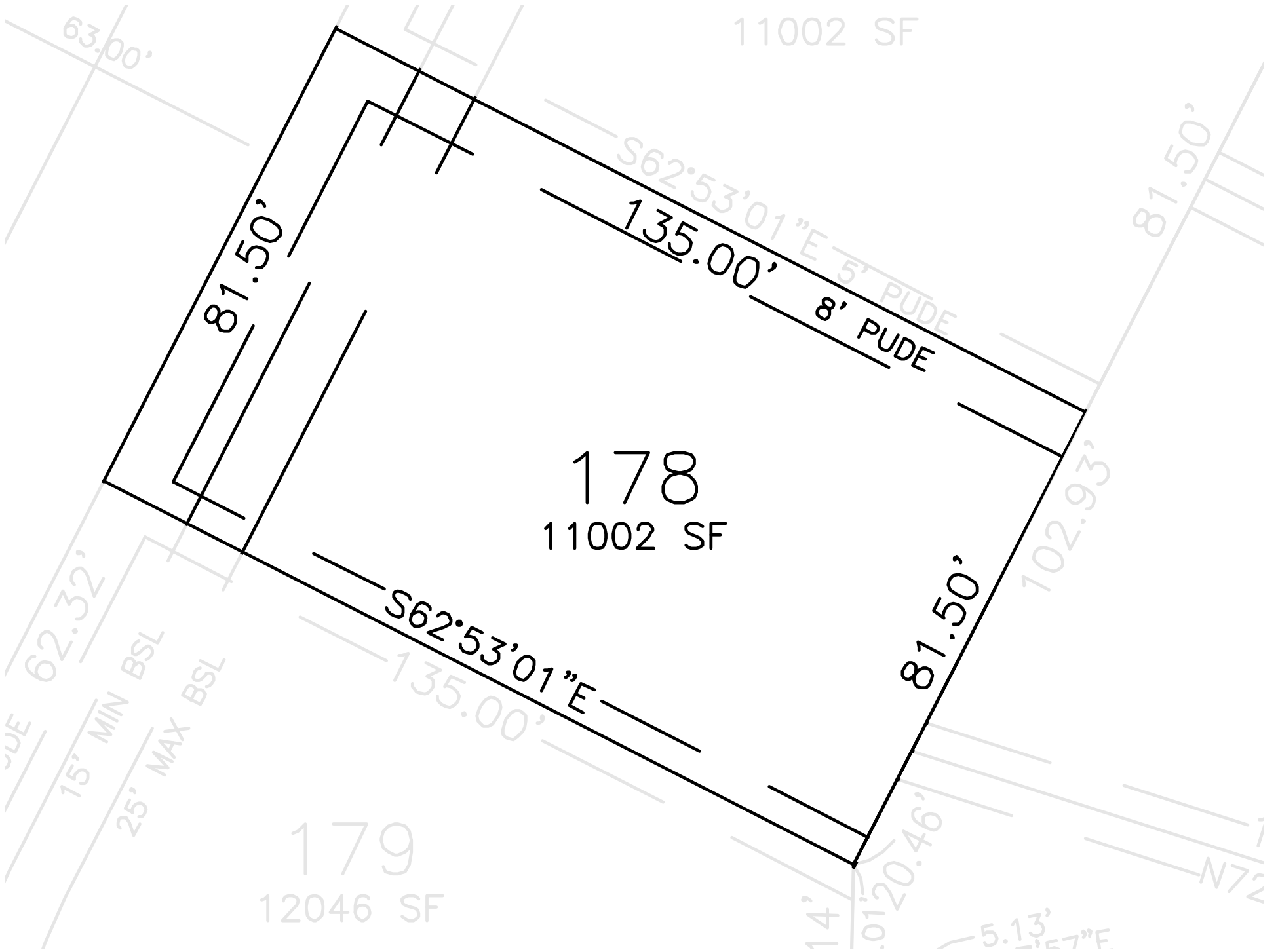
173
11907 SF

172
11407 SF

175

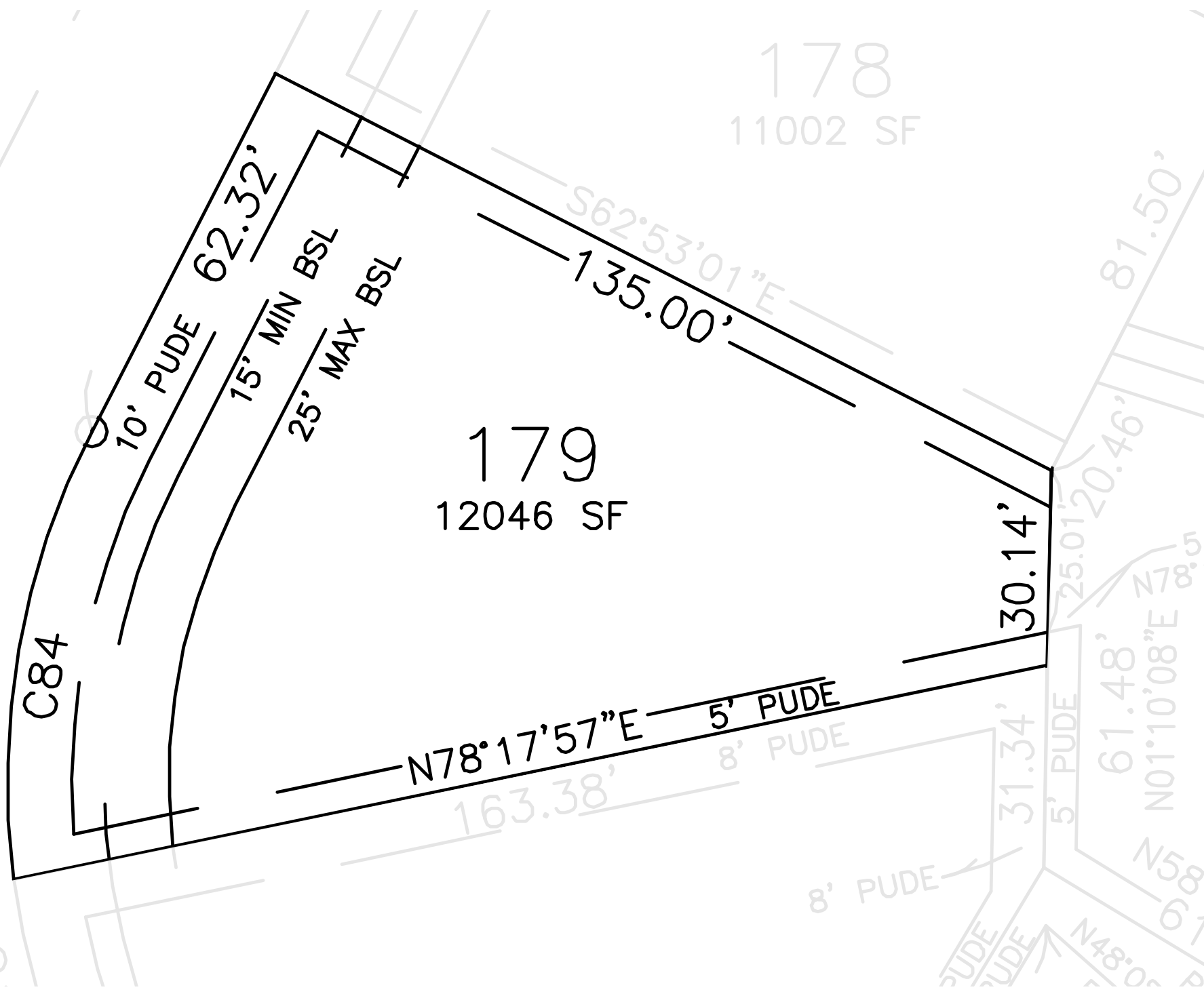
LOT STYLE: Standard

[GO BACK TO NEIGHBORHOOD MAP](#)



LOT STYLE: Standard

[GO BACK TO NEIGHBORHOOD MAP](#)



178
11002 SF

179
12046 SF

C84

10' PUDE 62.32'

15' MIN BSL

25' MAX BSL

S62°53'01\"E
135.00'

N78°17'57\"E 5' PUDE

163.38'

8' PUDE

30.14'

31.34'

5' PUDE

61.48'

N01°10'08\"E 8'5

87.50'

25.01' 20.46'

8' PUDE

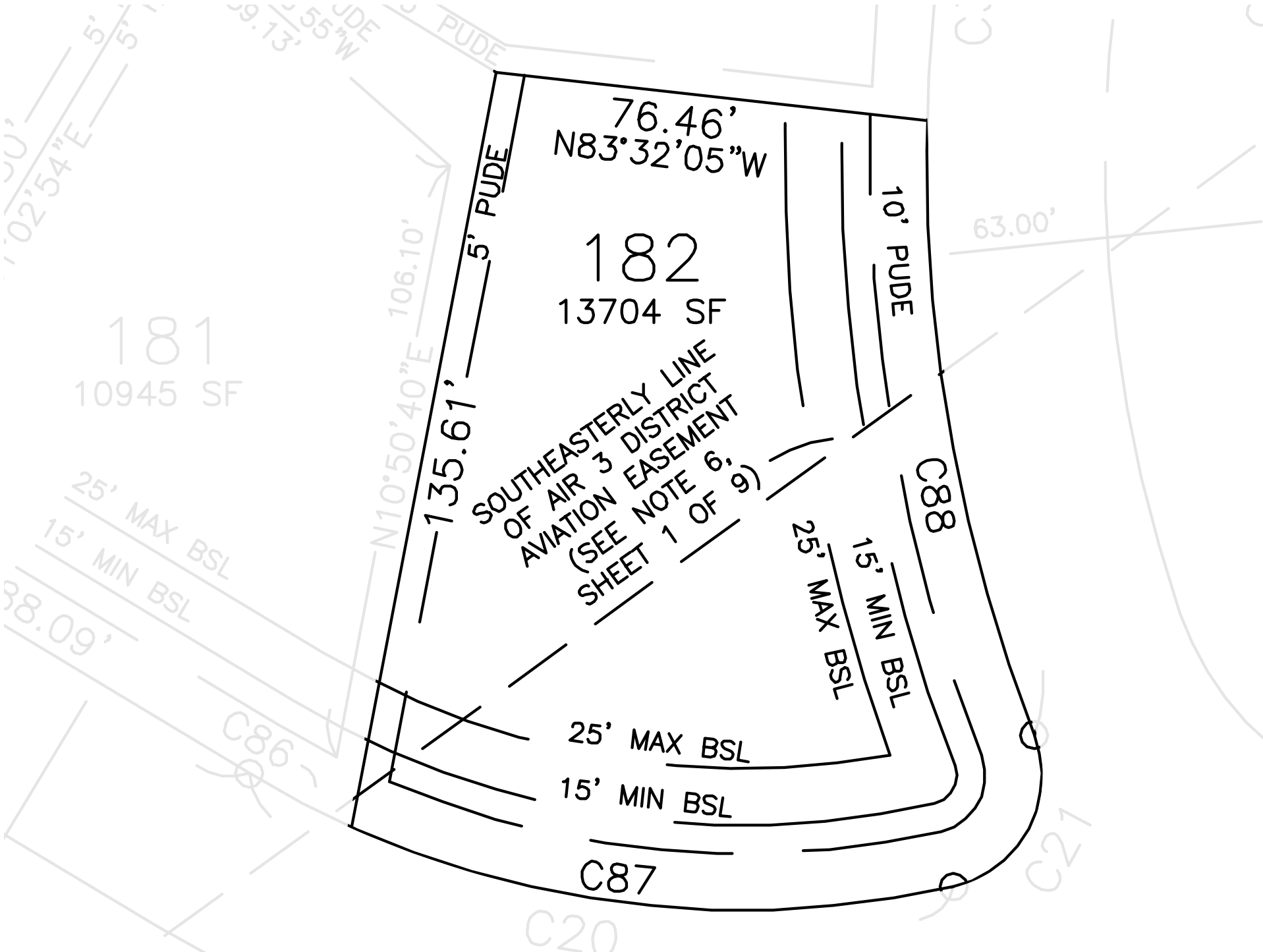
PUDE
PUDE

N48°0

61

LOT STYLE: Standard

[GO BACK TO NEIGHBORHOOD MAP](#)



LOT STYLE: Standard

[GO BACK TO NEIGHBORHOOD MAP](#)